

Mada Wall-Mounted Flowmeters

- *Precise administration in fractional increments.*
- *Available for oxygen or medical air.*
- *Adaptable for all 1/8 NPT inlet adapters.*
- *Back pressure compensated.*
- *Flush Flow.*
- *Inlet Filter.*



No. 1701 SERIES

No. 1701 Series:

- *Five year warranty.*
- *Durable cylindrical construction.*
- *Available in: 1/2 - 8 LPM, 1 - 15 LPM, 1/10 - 1 LPM*



MADA, INC.

DOMESTIC/INTERNATIONAL

625 Washington Avenue, Carlstadt, NJ 07072

Tel: 201-460-0454 • Fax: 201-460-3509

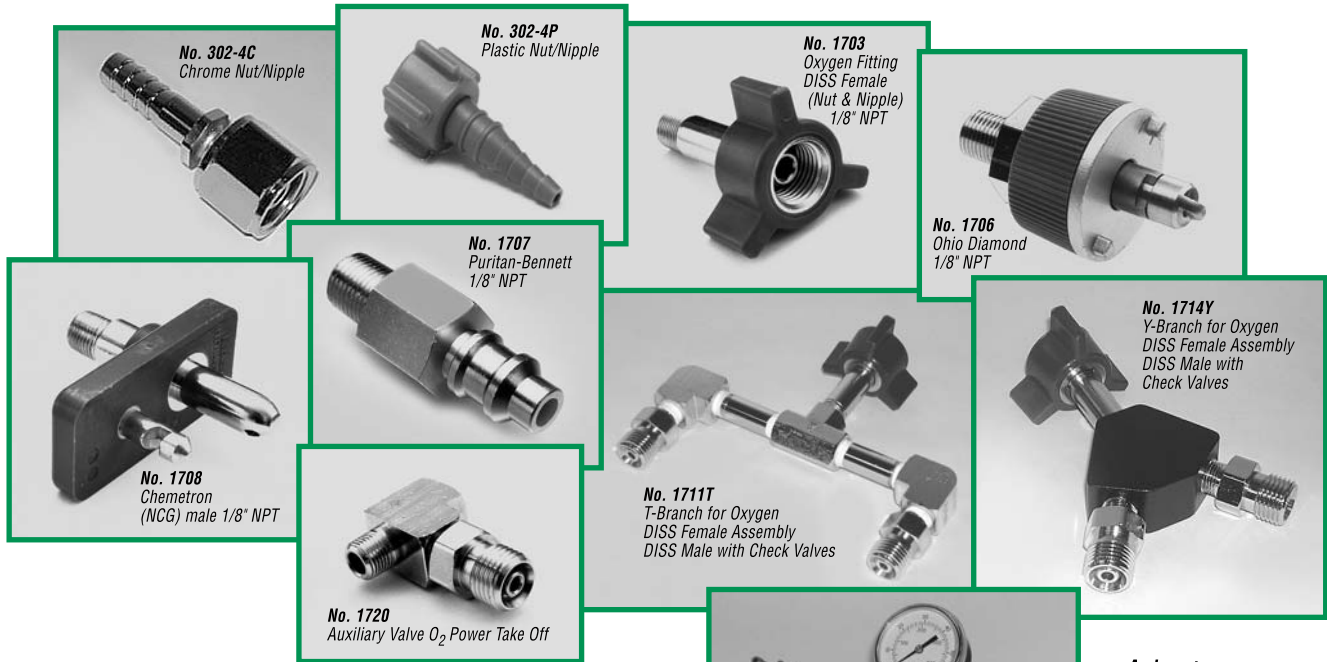
To Order Call Toll Free: **800-526-6370**

Web Page: www.madamedical.com

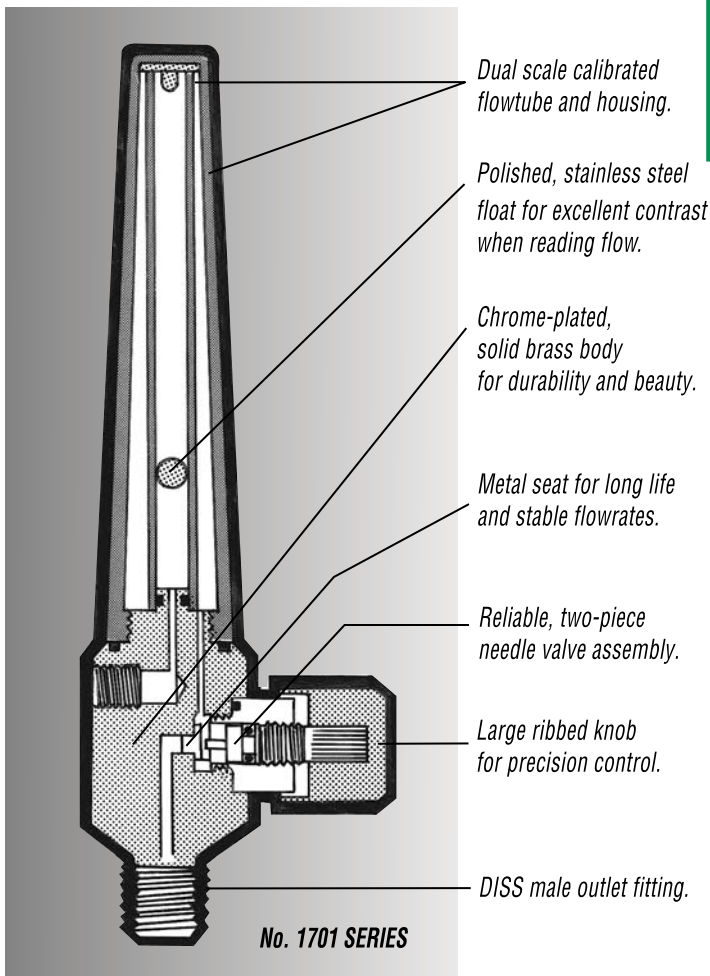
MWMF rev. 2/08

Mada Inlet Adapters

Mada provides a complete line of inlet adapters for the most popular oxygen and medical air flowmeters; factory assembled to your flowmeter.



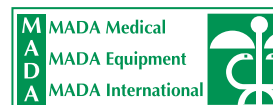
Adapters
also available
in medical air.



Specifications

MODEL	GAS SCALE	ACCURACY
1701	Oxygen 1-15 LPM	± 10%
1701-1	Oxygen 1/10-1 LPM	± 15%
1701-8	Oxygen 1/4-8 LPM	± 10%
1701-A	Air 1-15 LPM	± 10%

Distributed By:



MADA, INC.
DOMESTIC/INTERNATIONAL
625 Washington Ave., Carlstadt, NJ 07072
Tel: 201-460-0454 • Fax: 201-460-3509
Web Page: www.madamedical.com

To Order Call Toll Free: **800-526-6370**