



MADA Patient Aids

Mada's standard wheelchairs are designed and built for long-lasting, reliable operation. Each wheelchair is constructed of heavy gauge, chrome plated steel framework and "tube in a tube" construction at stress points. Mada's state-of-the art engineering uses the most modern components to provide the strength needed while minimizing the chair's weight.

User comfort is a major consideration. A two position height adjustment, padded armrests and upholstery create a restful atmosphere. Vinyl tip-ups and a convenient rear pocket add to the versatility of this chair.

With its options and advantages, the Mada wheelchair should be the first choice when choosing a traditional wheelchair. Backed by our solid reputation for providing parts and service, you can be assured of getting the best wheelchair on the market.

Standard Wheelchair, 3100 Series

3100DELR

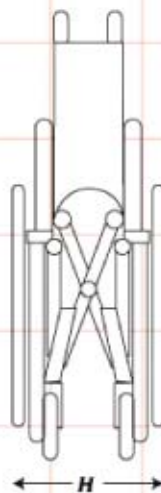
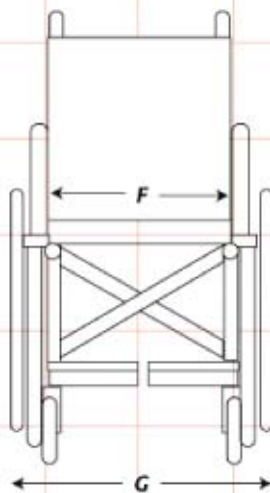
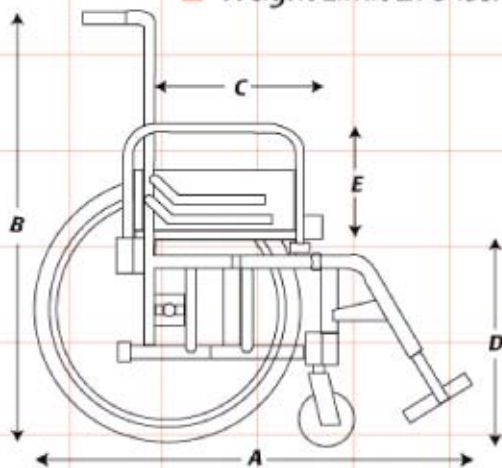


3100F



FEATURES:

- ▲ **Construction:**
 - ▲ Frame: 7/8" chrome plated steel tubing, 1.6mm thick.
 - ▲ Crossbar: 1" chrome plated steel tubing, 1.8mm thick.
- ▲ Side panels.
- ▲ Comfortable, padded armrests.
- ▲ 8" solid front swivel casters with precision bearing.
- ▲ Swing away non-skid foot rests.
- ▲ 24" mag wheels, solid rear tires.
- ▲ Vinyl tip-ups on rear tubes for easy maneuvering over steps and around turns.
- ▲ Standard wheel locks.
- ▲ Heavy-duty padded vinyl upholstery with convenient pouch.
- ▲ Upholstery color: navy blue.
- ▲ Weight: 3100F 39 lbs. 3100D 41 lbs.
- ▲ Weight Limit 275 lbs.



MODELS:

- 3100F** - Fixed Arm, S/A, Mag.
- 3100D** - Removable Deskarm, S/A, Mag.
- 3100FELR** - Fixed Arm, ELR, Mag.
- 3100DELRL** - Removable Desk Arm, ELR, Mag.

ACCESSORIES:

- ELRNS** - Elevating Legrests.



DIMENSIONS: (Without Riggings)

- A. Overall Length: 31"
- B. Overall Height: 37"
- C. Seat Depth: 16"
- D. Seat Height: 19"
- E. Armrest Height: 10 1/2"
- F. Seat Width: 18"
- G. Overall Width: 24 1/2"
- H. Folded Width: 12 1/2"