



# MADA Patient Aids

## Patient Transport Chair, 3200 Series (Now with Seat Belts)



3250TC



3200TC

Mada's standard transport chair is constructed of durable, chrome-plated steel tubing with reinforced cross braces. Stress points at the fold down seat back and rear axle are completely reinforced for added safety and stability.

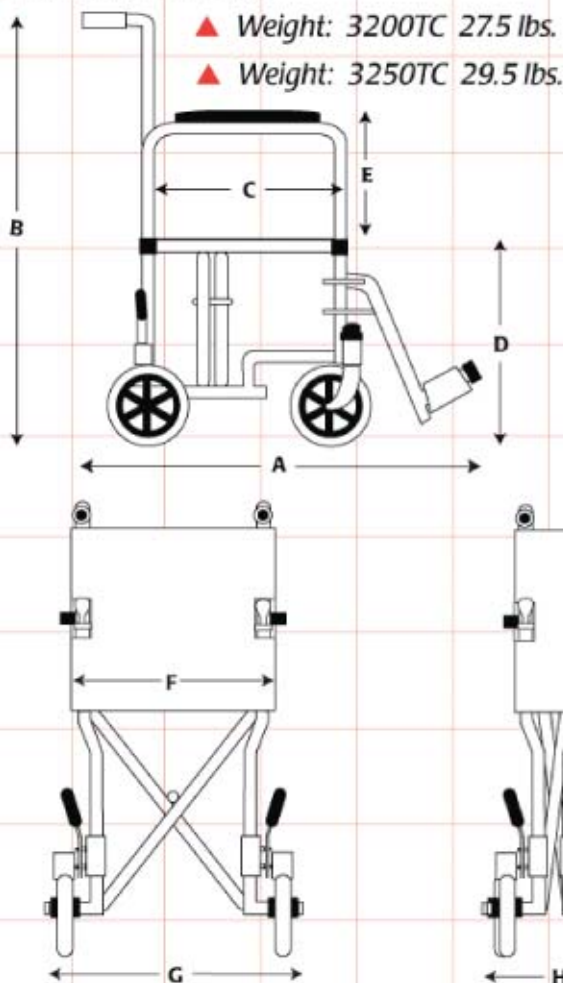
The 3200TC Transport Chair is substantial in comfort. This is evident in its full length padded armrests and removable, machine washable upholstery. Let's not forget its convenience... with its dual action latch release fold down seat back with convenient pocket and removable footrests, so it can be conveniently and quickly stored in the back seat or trunk of a car.

The 3250TC Deluxe Transport Chair has added the features of removable desk arms, 8" maintenance free TPU soft ride tires, and a convenient pocket on the seat back.

Mada stands behind its Transport Chairs with dependable parts and service.

## FEATURES:

- ▲ Best quality, full length padded arm rests 3200TC.
- ▲ Removable desk arms with padded arm rests 3250TC.
- ▲ Padded non-stretch, fire retardant nylon mesh upholstery.
- ▲ Support crossbar constructed of 1" tubing with 1.8mm wall.
- ▲ Folding seat back: simple, secure dual action self-locking latch mechanism.
- ▲ Seat back pocket on model No. 3200TC and 3250TC.
- ▲ Convenient travel straps for easy folding and transport.
- ▲ Easily detachable swing-away footrests.
- ▲ Standard wheel lock.
- ▲ 3200TC 8" solid tires front and rear.
- ▲ 3250TC 8" TPU soft ride tires front and rear.
- ▲ Front swivel assembly with sealed inner precision bearings.
- ▲ Anti-slip foot pad.
- ▲ Color: Chrome/Black upholstery.
- ▲ Now with seat belts.



## 3200TC and 3250TC

Weight Capacity 300 lbs.

Easily folds down for quick and convenient storage.

Quick release footrests can swing to the side or lift up-ward for complete removal if desired.

## DIMENSIONS: (Without Riggings)

	<u>3200TC</u>	<u>3250TC</u>
A. Overall Length:	35"	35"
B. Overall Height:	40"	40"
C. Seat Depth:	16"	16"
D. Seat Height:	19 1/2"	19 1/2"
E. Armrest Height:	10"	10"
F. Seat Width:	18 3/4"	18 3/4"
G. Overall Width:	21"	23 1/2"
H. Folded Width:	8 1/2"	10"
I. Folded Height:	30"	29 1/2"